

The Rubber Antenna is an electrically short antenna, which functions somewhat like a base-loaded whip or monopole antenna. Electrically short antennas are often used in portable equipment because a one-quarter wavelength element, necessary for electrical resonance of a linear element over a ground-plane, is often too long for convenient portable operation.

**Features:**

Frequency: 433 MHz

Gain: 3 dBi

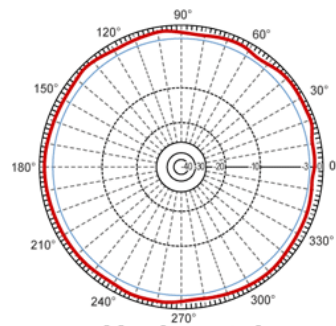
Antenna type: Rubber antenna



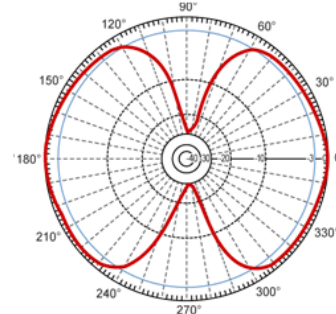
**433 MHz 3 dBi Rubber Duck Antenna SMA Male Right Angle Connector**

TECHNICAL SPECIFICATIONS	
Center Frequency	425-439 MHz
Gain	3 dBi
V.S.W.R	≤ 1.5
Polarization	Vertical
Impedance	50 Ω
Horizontal Beam Width	360°
Vertical Beam Width	25°
Lightning Protection	Direct Ground
Maximum Input Power	100 W
Directional	Omni
MECHANICAL SPECIFICATION	
Radom Material	ABS
Connector	SMA M RA
Antenna Length	105 mm
Radom Color	Black
Humidity	5~95%
Operating Temperature (°C)	-40°C ~ 85°C
Environmental Friendly	ROHS Compliant

**RF Antenna Patterns**



**Horizontal**



**Vertical**